

W005M THRU W10M

SINGLE-PHASE SILICON BRIDGE RECTIFIER

REVERSE VOLTAGE: 50 to 1000 VOLTS

FORWARD CURRENT: 1.5 AMPERE

<http://www.njzrg.com>

FEATURES

- Surge overload rating: 40 amperes peak
- Ideal for printed circuit board
- Reliable low cost construction
- Low forward voltage drop
- High temperature soldering guaranteed:
260°C for 10 seconds

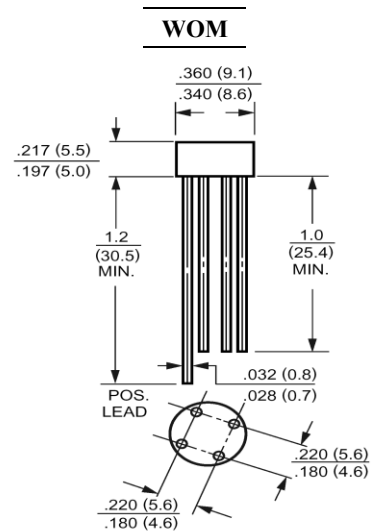
MECHANICAL DATA

Case: Reliable low cost construction utilizing molded plastic technique results in inexpensive product

Terminals: Leads solderable per MIL-STD-202, method 208 guaranteed

Mounting position: Any

Weight: 0.05ounce, 1.3gram



Dimensions in inches and (millimeters)

Maximum Ratings and Electrical Characteristics

Ratings at 25 °C ambient temperature unless otherwise specified.

Single phase, half wave, 60Hz, resistive or inductive load.

For capacitive load, derate current by 20%.

	Symbols	W005M	W01M	W02M	W04M	W06M	W08M	W10M	Units
Maximum Recurrent Peak Reverse Voltage	V_{RRM}	50	100	200	400	600	800	1000	Volts
Maximum RMS Voltage	V_{RMS}	35	70	140	280	420	560	700	Volts
Maximum DC Blocking Voltage	V_{DC}	50	100	200	400	600	800	1000	Volts
Maximum Average Forward Rectified Current .375"(9.5mm) Lead Length at $T_A=50$	$I_{(AV)}$	1.5							Amp
Peak Forward Surge Current, 8.3ms single half-sine-wave superimposed on rated load (JEDEC method)	I_{FSM}	40							Amp
Maximum Forward Voltage at 1.5A DC and 25	V_F	1.0							Volts
Maximum Reverse Current at $T_A=25$ at Rated DC Blocking Voltage $T_A=100$	I_R	5.0 500							uAmp
Typical Junction Capacitance (Note 1)	C_J	24							pF
Typical Thermal Resistance (Note 2)	$R_{\theta JA}$	36							/W
Typical Thermal Resistance (Note 2)	$R_{\theta JL}$	13							/W
Operating and Storage Temperature Range	T_J, T_{stg}	-55 to +150							

NOTES:

1- Measured at 1 MHz and applied reverse voltage of 4.0 VDC.

2- Thermal Resistance Junction to Ambient and from junction to lead at 0.375"(9.5mm) lead length P.C.B. Mounted.

W005M THRU W10M

SINGLE-PHASE SILICON BRIDGE RECTIFIER

RATINGS AND CHARACTERISTIC CURVES

<http://www.njzrg.com>

FIG.1- MAXIMUM NON-REPETITIVE FORWARD SURGE CURRENT PER BRIDGE ELEMENT

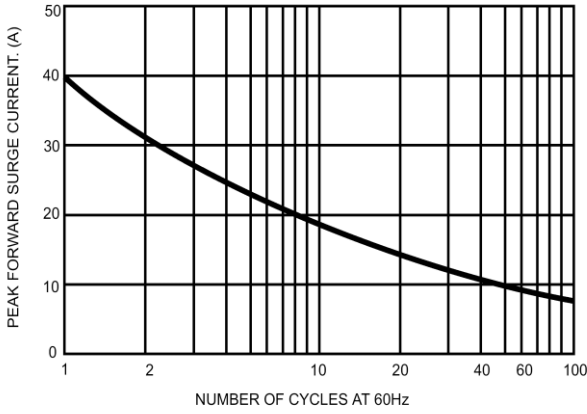


FIG.2- MAXIMUM FORWARD CURRENT DERATING CURVE

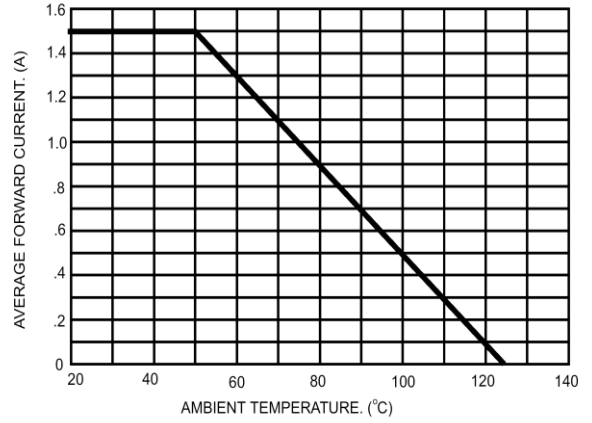


FIG.3- TYPICAL INSTANTANEOUS FORWARD CHARACTERISTICS PER BRIDGE ELEMENT

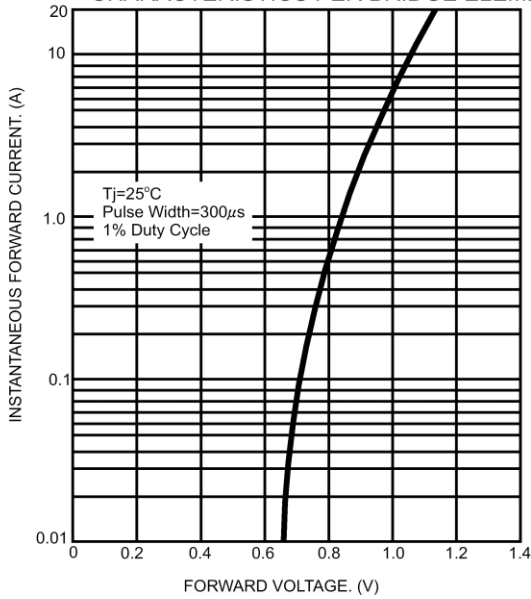


FIG.4- TYPICAL REVERSE CHARACTERISTICS PER BRIDGE ELEMENT

